

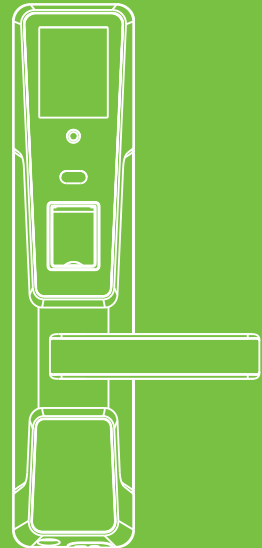
# Installation Guide

## ZM100 Face and Fingerprint Lock

---

Version: 2.0

Date: January 2019

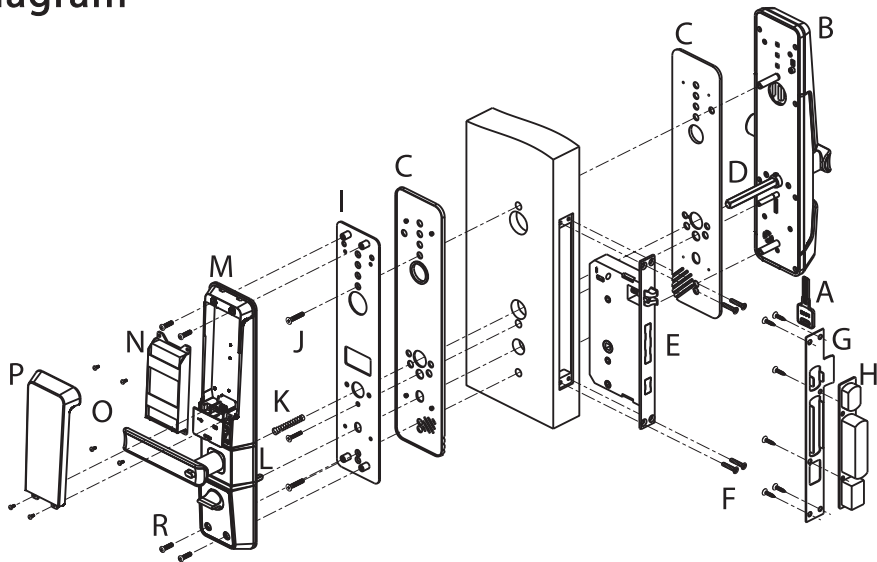


# Contents

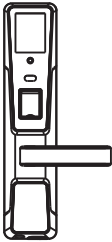
Before Installation .....	1
Diagram .....	1
Packing List .....	2
Notes.....	4
Cautions.....	4
Installation Environment .....	5
Check door open direction .....	6
Tips.....	7
Installation.....	9
Quick operation guide.....	17

# Before Installation

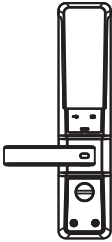
## Diagram



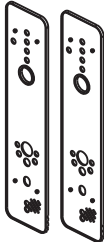
# Packing List



B



M



C



I



G



H



E

Wooden Door



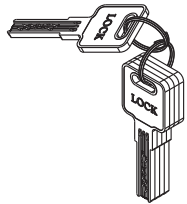
Security Door



F



R

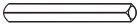
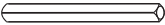


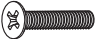
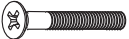
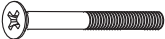
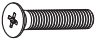
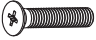
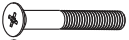
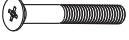




A



Q

## Check door thickness, prepare the proper screws and spindles.

Door Thickness	38-50mm	50-60mm	60-65mm
<b>D Spindle</b> (8*8)	 65mm	 85mm	
<b>L Spindle</b> (5*5)	 50mm	 60mm	
<b>J Screw</b> (M4)	 30mm	 40mm	 55mm
<b>J Screw</b> (M5)	  30mm	  40mm	  55mm

**Notes:** Screws and spindles for doors thickness of 38-65mm are all included in the standard package. Please apply the corresponding package according to the actual door thickness. For the door thickness of 65-90mm, the standard package does not have the proper screws and spindles. If you need them, please contact with the dealer.

# Notes

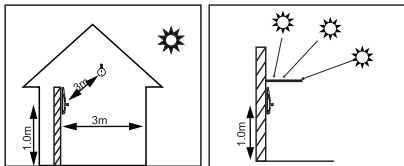
## Cautions

- ⚠ 1. The information of this installation Instruction may vary without any notices to improve the performance of this product.
- ⚠ 2. Customer's improper installation may result in a additional service costs. We highly recommend professional installation.
- 3. The lock is equipped with mechanical keys for manual unlocking. Remove mechanical keys from the package and keep them in a safe place.
- 4. It's forbidden to remove the battery, if you need to replace with newly-bought battery, please operate under the guidance of professional technique person.
- 5. Please replace the battery once the lock prompts "Low Battery". Please use the original charger to charge.
- 6. Without any operation, the lock will power off automatically within 10 seconds.
- 7. Keep your fingers, screen and camera clean when using this lock.

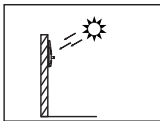
# Installation Environment

This lock is recommended to be installed in the indoor and semi-outdoor environment, where the luminance is within 5000Lux.

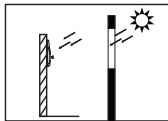
Recommended installation position:



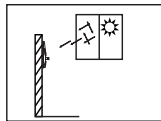
There are several situation will affect the recognition:



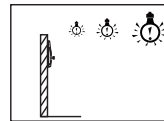
Expose to direct sunlight (outdoor)



Expose to direct sunlight through the window (indoor)

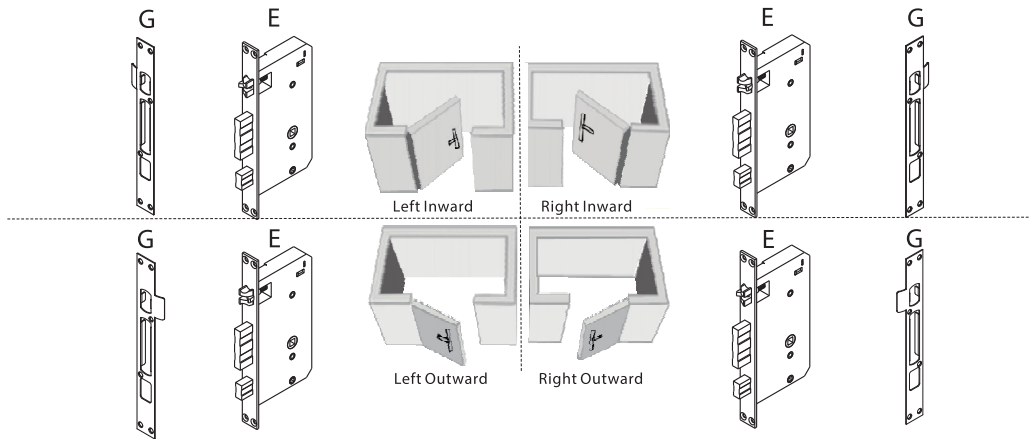


Expose to slant sunlight through the window (indoor)



Expose to strong light at a close distance (indoor)

# Check door open direction.

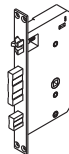


**Note :** Please install the mortise and strike plate according to the above pictures.

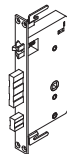
## Check door type.

Mortise without hooks is applied to wooden door,  
and mortise with hooks is applied to security door.

(Without hooks)



(With hooks)





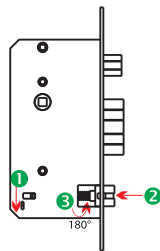
# Tips

## 1. How to change the direction of latch bolt?

Step1: Push the switch to the end

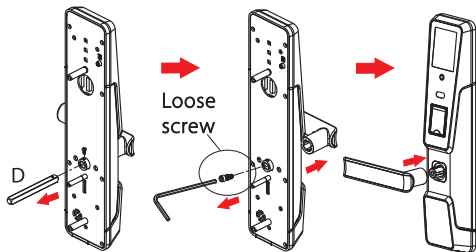
Step2: Push the latch bolt into the mortise

Step3: Rotate the latch bolt at 180° inside mortise, then loose it.

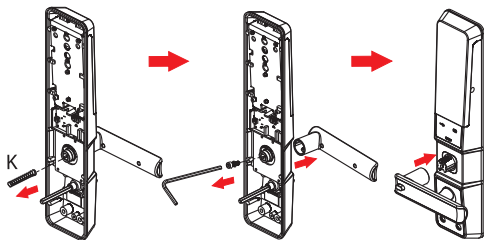


## 2. How to change the handle direction?

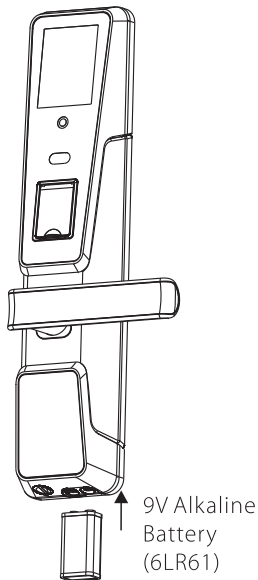
### Front Lock



### Back Lock



### 3. How to use emergency power?



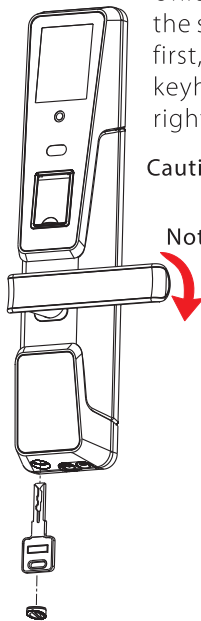
### 4. How to use mechanical key?

Unlocking method: Please remove the silicon stopper of the keyhole first, then insert the key into the keyhole and rotate 90° to left or right, press the handle to unlock.

**Caution:** Please do not press down the handle before rotating the key.

**Notes:** Key A and Key B are designed for the property safety of the house owner:

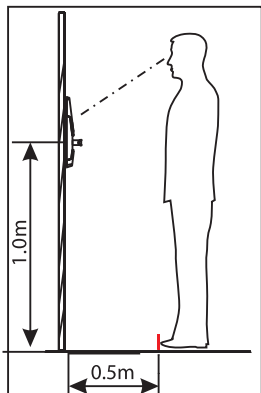
1. Key A is used for lock installer and upfitter. After the installation completed, the owner check and take back Key A, insert Key B into the keyhole and rotate 90°, then Key A will be unable to open the lock.
2. Key B is packed in the sealed plastic wrap for safety, which is used only for house owner.



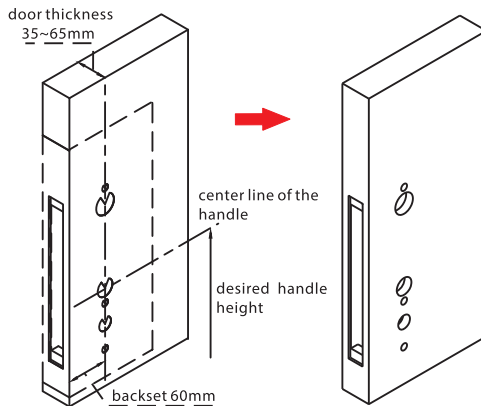
# Installation

## Recommended installation height

If the user height is 1.35-1.80m, the height from handle centerline to ground is 1m.



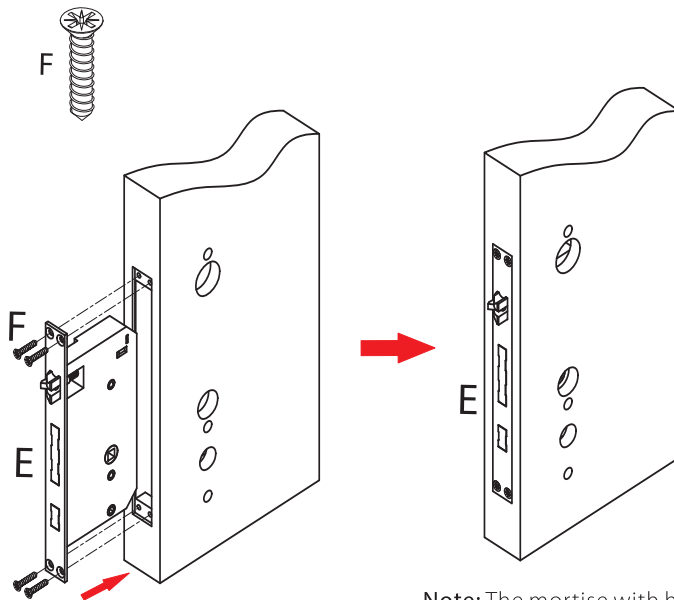
## 1. Drill holes on the door



**Note1:** Align the template along the vertical center line of the mortise(E) at the desired handle height, and tape it to door.

**Note2:** Mark the holes first, then start drilling.

## 2. Install the mortise(E)



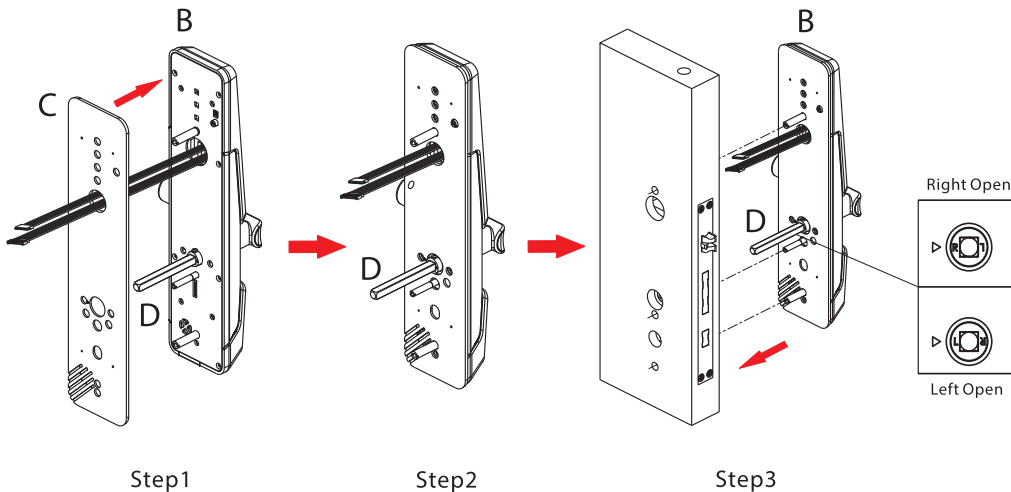
**Note:** The mortise with hooks is optional.

### 3. Install outdoor unit(B) with gasket(C),and spindle(D)

**Note:** 1. The small triangle must be placed toward the letter of R or L.

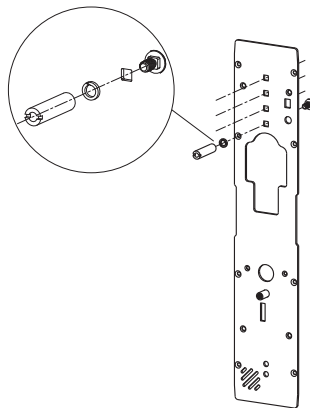
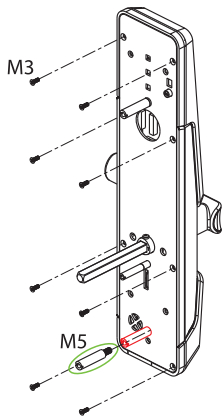
2. If the door is right open, the small triangle should towards R.

3. If the door is left open, the small triangle should towards L.



## How to change the location of stud bolts?

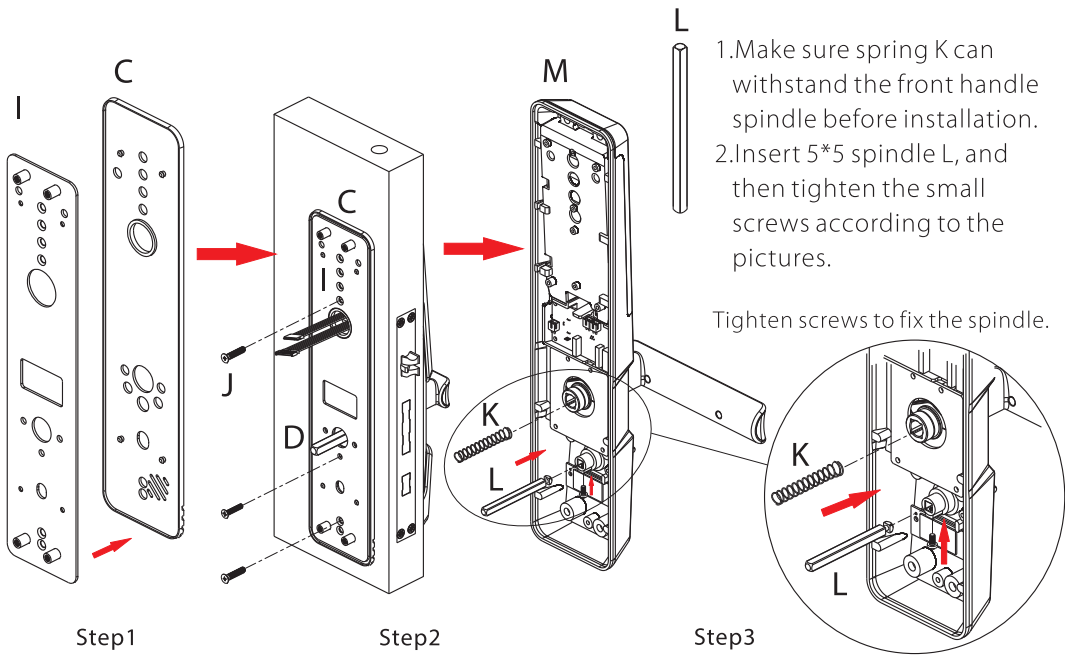
**Note:** Before install the waterproof gasket, if the height of stud bolts is unsuitable for the existed holes, you can adjust stud bolts location to make the lock suitable.



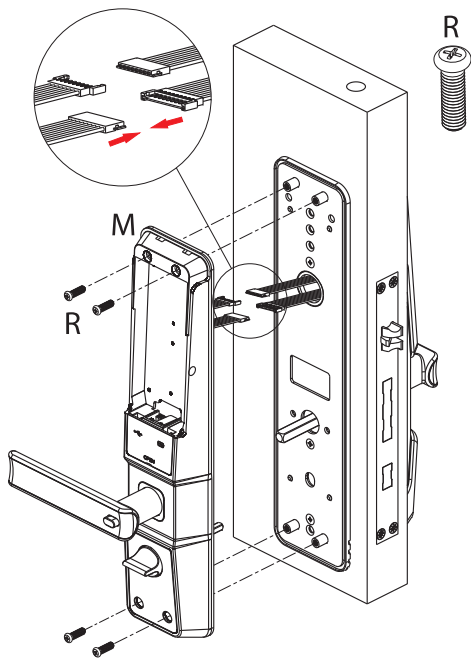
**Step1:** Twist down the eight M3 screws and M5 stud bolt to take down the mounting plate.

**Step2:** Twist down the other stud bolt.  
**Note:** There are four square holes to be used.

## 4. Install mounting plate (I) with gasket(C), spring(K) and spindle(L)



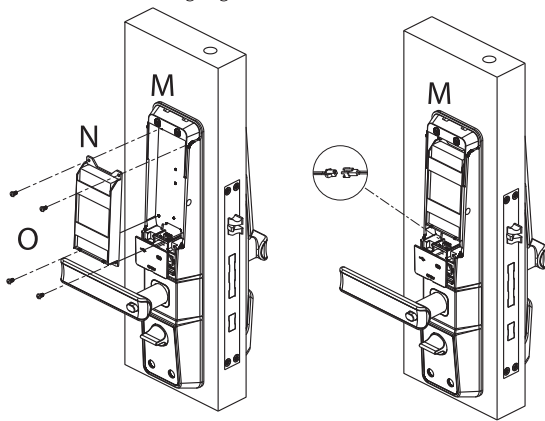
## 5. Install indoor unit (M)



## 6. Install battery (N)

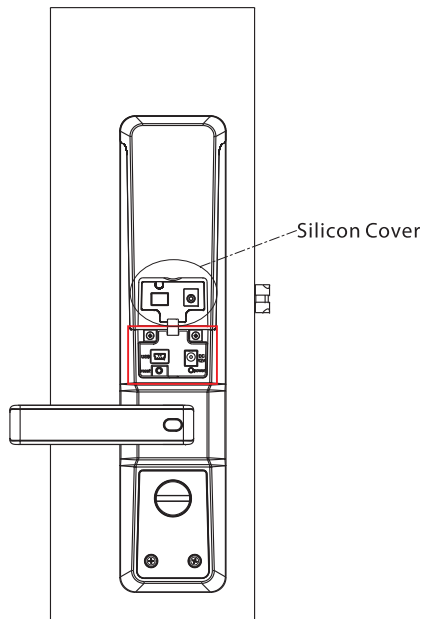
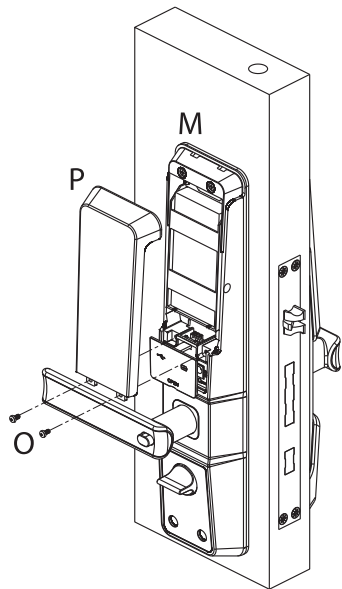
Install batteries and connect the battery joint.

**Note:** The battery is installed at default and equipped with 1 piece lithium battery. When you purchase a rechargeable battery, please install according to the following pictures. Remove the battery for charging is not recommended.

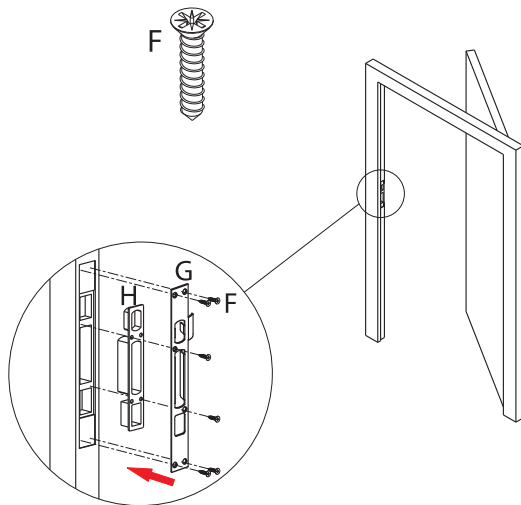
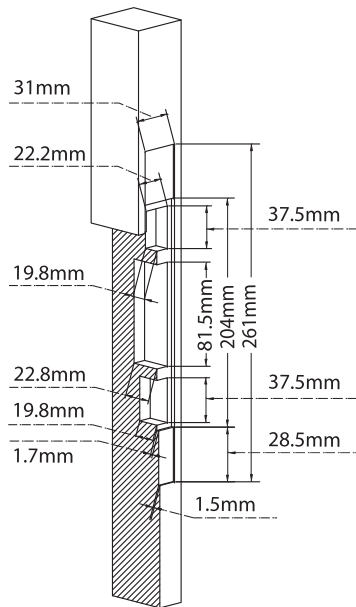




Lift the silicon cover in the below red box to recharge.



## 7. Mark and drill holes for strike



# Quick operation guide

## Open the door with fingerprint

Touch the power-on button to power on the lock



Verify the fingerprint



Press down the handle to unlock

## Open the door with password

Touch the power-on button to power on the lock



Enter the password, press OK to confirm



Press down the handle to unlock

**Note:** Users may enter any random digits in front of and behind the correct password to create random password to open the door. The maximum length of the random password is 32 digits.

## Open the door with face

Touch the power-on button to power on the lock



Verify the face



Press down the handle to unlock

## Open the door with card

Swipe the card within the induction zone



Press down the handle to unlock

ZK Building, Wuhe Road, Gangtou, Bantian, Buji Town,  
Longgang District, Shenzhen China 518129  
Tel: +86 755-89602345  
Fax: +86 755-89602394  
[www.zkteco.com](http://www.zkteco.com)

