



ZL500

Wireless Hotel Lock



Remote Monitoring



Contactless Verification



One-card Solution



Emergency Opening



Compatible with ZKBioSecurity

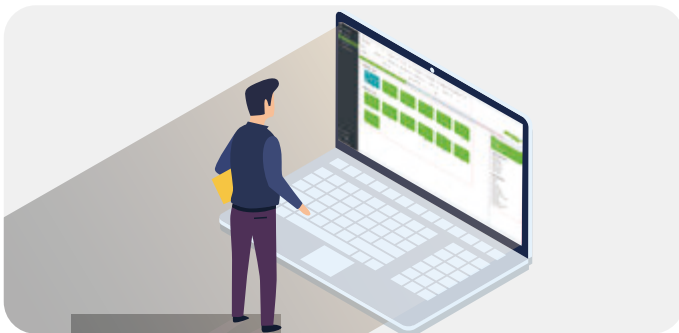


ZL500, a new cutting-edge wireless hotel lock, is compatible with the ZKBioSecurity software (ZKBioHLMS), supporting real-time remote monitoring of room and gateway status.

It provides a one-card solution to heighten the convenience of using ZKTeco's hotel management system and an open API for 3rd-party integration. Most importantly, it helps create a contactless environment, which is a necessity during any healthcare crisis.

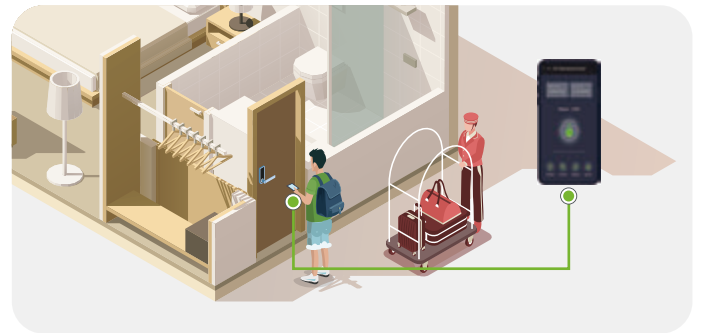
In short, ZL500 offers an innovative hotel solution for the hospitality industry, especially for luxury hotels. It enhances the efficiency and convenience of the hotel workforce and guests.

Features



Remote Monitoring

Monitor door status in real-time from anywhere



Contactless Verification

Unlock via the smartphone HTML5 (H5)



One-Card Solution

Guest's data about public facilities authorization, access control, guestroom access rights and elevator control are written into the guest's card



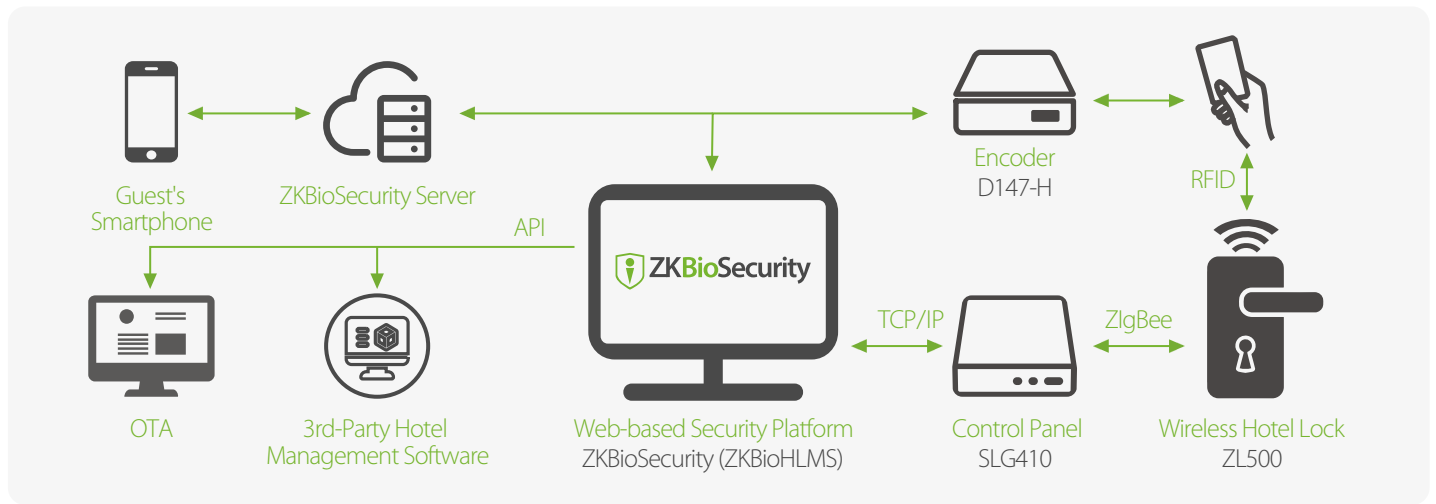
Free Egress

Door locks must always automatically open to the outside in case of emergency

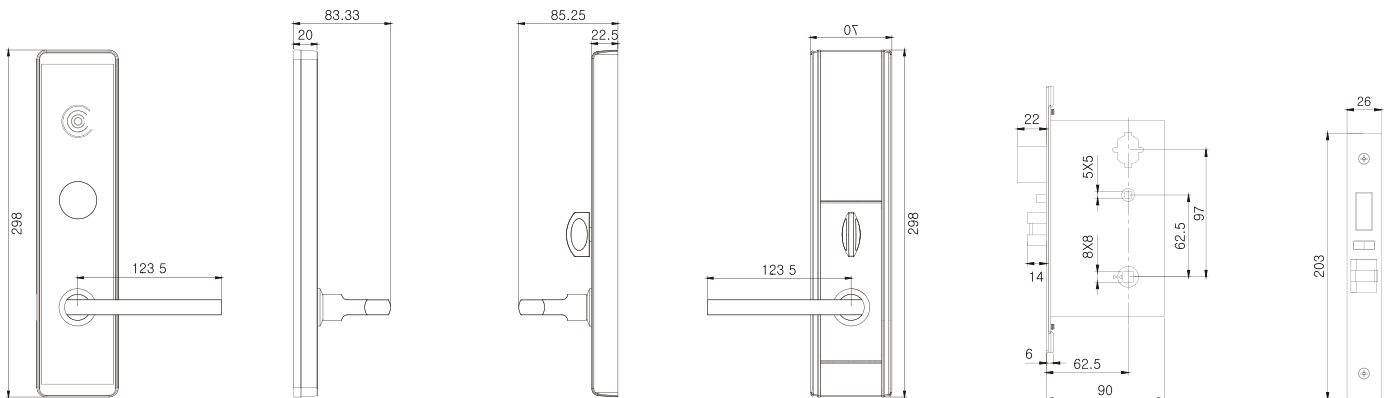
Specifications

Material	Zinc Alloy and PMMA	Door Thickness	35mm to 45mm
Mortise	American Standard Mortise with 5 Latches	Dimensions (W*L*D)	298 * 70 * 20 (mm)
Card Reader	D147-H	Operating Temperature	-20°C to 55°C
Communication	ZigBee	Operating Humidity	5% to 95% RH
Power Supply	4 × AA Alkaline Battery	Certification(s)	CE-RED
Battery Life	1 Year	Card Type	ISO 14443 (RFID) Type-A S50 / S70

Configuration



Dimensions (mm)



V1.0 2021.02.23