

YB-500H(LED)

Surface Mount Intelligent Electric Bolt for Single Door

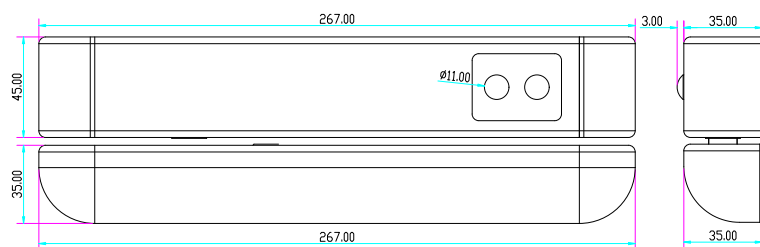


Product overview

YB-500H(LED) Surface Mount Intelligent Single Door Electric Bolt, High-Strength Aluminum Alloy Housing, Zinc Alloy Body, 304 Stainless Steel Solid Bolt, Processed by CNC, 1000kgs Holding Force, Bolt comes with anti-theft high-strength security design, Metal linkages, works in the temperature between 60 °C or -40 °C normally, durable magnetic valve applied, special photoelectric control system, ultra-low temperature and power consumption design. LED indicates status (green for unlocking; red for locking), Comes with NO/COM contacts and re-lock time delay function, Fail safe or fail secure optional, Convenient installation, time-saving, safe, sturdy, recommended model for any project

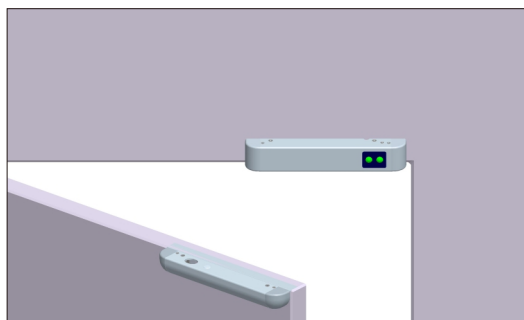
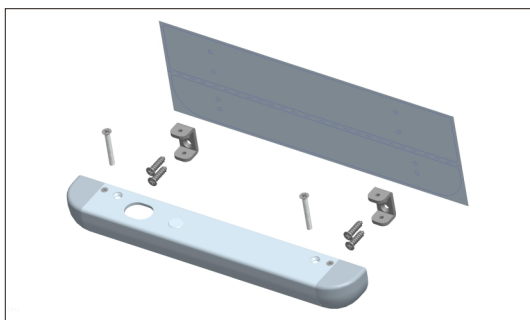
Dimensions

Unit: mm



Parameter/Model	YB-500IN(LED)
Parameter	Description
Feature	Power-off lock (NO); power-off unlock (NC)
Lock body size	267Lx45Hx35W(mm)
Shelf size	267Lx35Hx35W(mm)
Voltage	DC12V
Start Current	1000mA
Standby Current	180mA
Signal Output	Door status Output, NO/COM
Autolock Time Delay	0/3/6/9S
LED	Green light unlocked; Red light locked
Induction Distance	8mm
Weight	0.9kg

Installation diagram



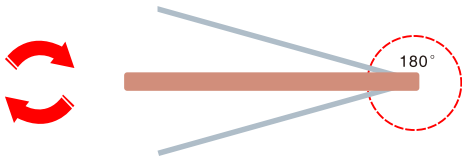
Installation:

- 1, based on the gap between door and door frame, then decide if you need to cut off hole-cutting instruction paper, original setting of gap is 5mm
- 2, paste hole-cutting instruction paper on proper position, install U bracket base as instruction (base in accessory bag)
- 3, as shown, lock body and latch should be on appropriate position, fasten them by KM

Shenzhen YLI Electric Lock Co., Ltd.

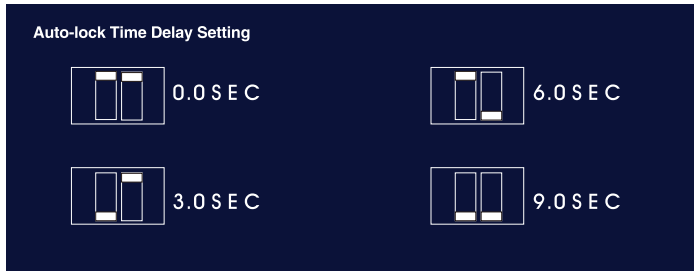
Suitable for double action doors

Electric bolts are specially designed for double action doors. They can also be installed on both inswing doors and outswing doors.



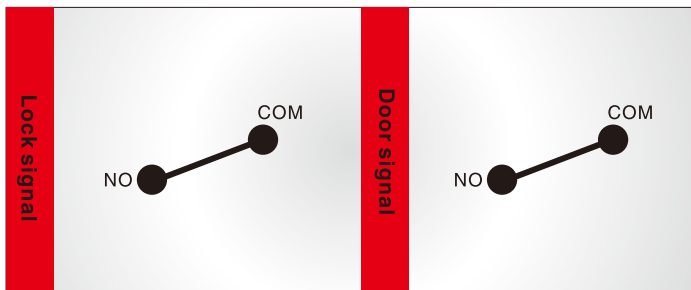
Auto-lock time delay function

This can be set up from 0 to 9 seconds by adjusting the jumpers.



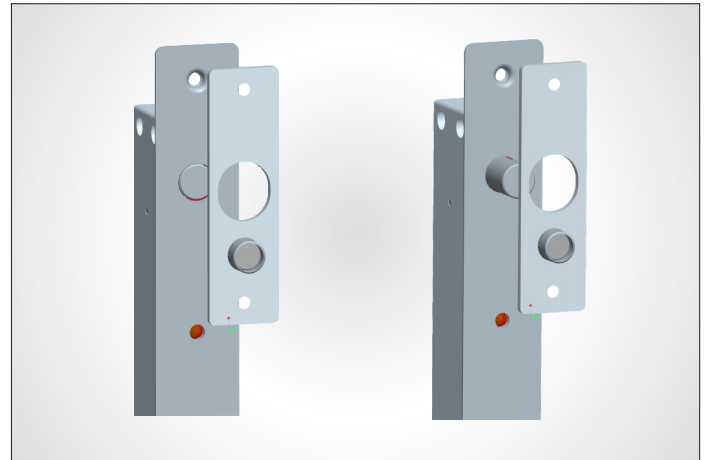
Optional door or lock sensor output

Standard option is a set of NO/COM lock signal output contact.



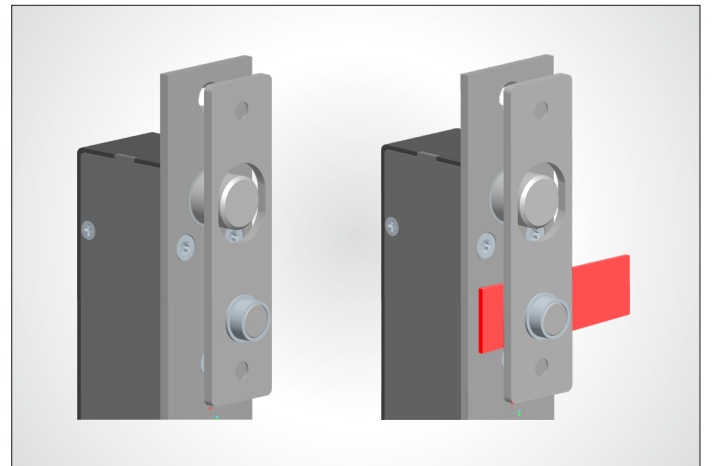
Auto-detective circuitry

This special auto-detective circuit of electric bolt keeps the bolt retracted while the door unlocked or improperly aligned until the door is properly closed.



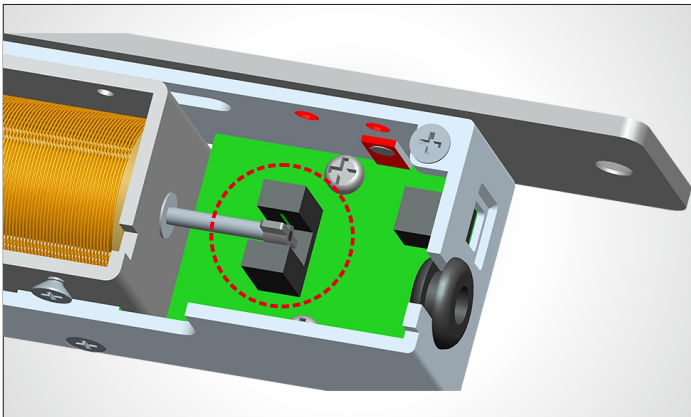
Vandal resistant circuitry

The reed sensor will automatically disconnect when the door is actually closed in order to enhance the security of the lock.



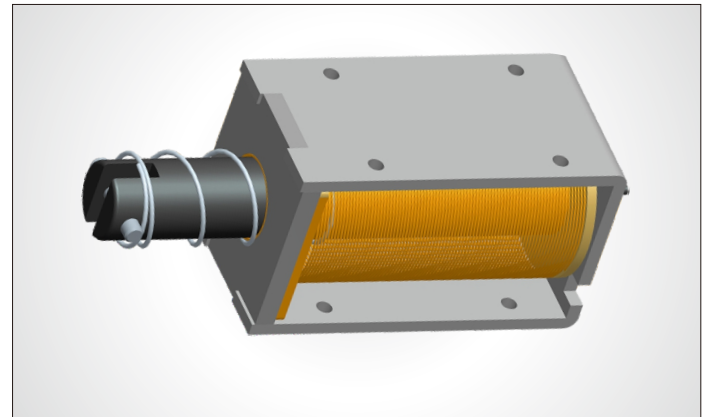
Photoelectric sensor control

Instead of using electric components, we use photoelectric components to make the bolt more stable and durable. at the same time, it can increase the lifetime of the electric bolt.



Ultra durable solenoid valve

Tested for over 500,000 times, the specially designed solenoid valve can be used for 5 to 10 years.



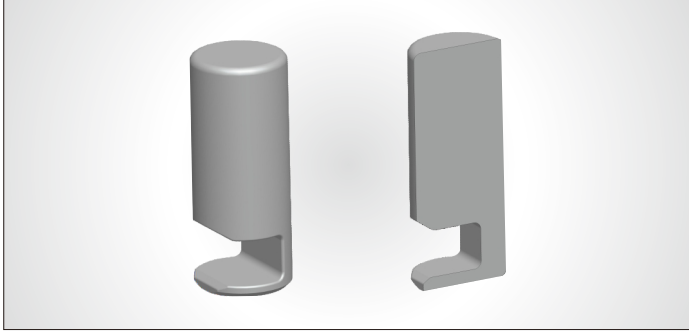
Shenzhen YLI Electric Lock Co.,Ltd.

Room 1605, Block A, Haisong Building, Tairan 9th Road, Futian District, Shenzhen China
TEL:86-755-83489801/02/03/04/05/06 FAX:86-755-83489807
Website: www.yli.cn E-mail: yli@yli.cn



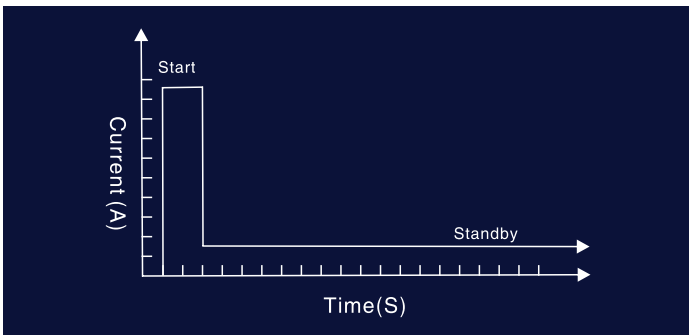
304 stainless steel solid bolt

With 304 stainless steel solid bolt, the electric bolt has 2000kg holding force. It is stronger and more durable under the harsh environment.



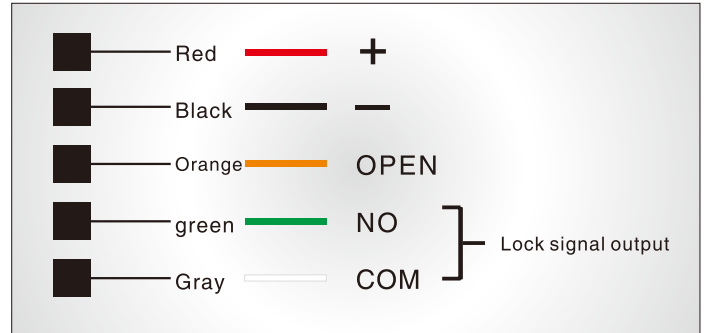
Energy saving design

When the bolt is extended to keep the door locked, it draws only 0.18A in a holding mode down from 0.96A while the bolt is retracted. This design extends the life of the electric bolt.



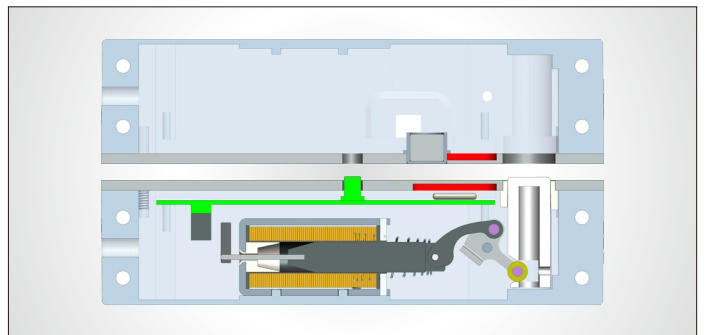
Connecting instructions

With the special auto-detective circuit, we advise you to connect our own open wires to open the door instead of shutting off the power directly.



All-metal lock body

The all-metal lock body and components make the lock stronger and more durable, which ensure the lock can work under the harsh environment. (Can order the lock work at the temperature of 60 °C or 40 °C below zero.)



Shenzhen YLI Electric Lock Co.,Ltd.

Room 1605, Block A, Haisong Building, Tairan 9th Road, Futian District, Shenzhen China
TEL:86-755-83489801/02/03/04/05/06 FAX:86-755-83489807
Website: www.yli.cn E-mail: yli@yli.cn

