

Electric Strikes

GK300 Series

Durable, Versatile Strikes for Residential and Business



SECURITY



The GK300 series ANSI electric strikes is designed for use with cylindrical locksets or mortise locksets without a deadbolt. It can be fitted to a wide range of applications and is field reversible for fail-safe or fail-secure operation.

Standard Features

- Non-handed fully reversible
- Field reversible fail-safe or fail-secure
- Static strength 1,000 lbs (454Kg)
(GK360M: 1500 lbs (680 kg))
- Dynamic strength 50 ft-lbs (GK360M: 70 ft-lbs)
- Endurance rating 250,000 cycles UL tested,
1,000,000 cycles factory tested
- Brushed stainless steel (US32D) finish
- Latch monitor (For models with M suffix)

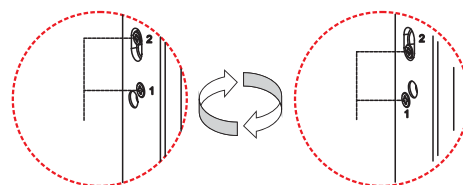
Patents, Approvals, and Listings

- UL 1034 burglary-resistant listed:BP10269
(GK300, 301, 310, 311,360 series)
- UL 294 Access Control System listed:BP10269
(GK300, 301, 310, 311 series)
- CE: EC741012-01
- Patent: Australia - 2018101170 (GK360M)

Changing Fail-Safe or Fail-Secure

Fail-safe or Fail-secure is field reversible by changing the position of screws.

Moving screws to fail-safe/fail-secure position

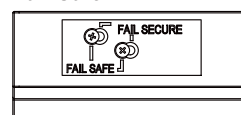


"Fail-Secure"
Power to Open

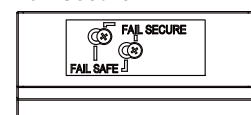
"Fail-Safe"
Power to Lock

Changing screw position at fail-safe/fail-secure hole (For GK360M only)

Fail-Safe:



Fail-Secure:

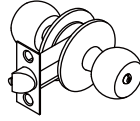


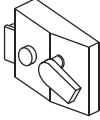


GK300 Series ANSI Electric Strikes

| Models | Voltage (VDC) | Latch Throw | Latch Monitor | Reversible Fail-Safe Or Fail-Secure | Frame | Mount | Body Construction |
|---|-----------------------|--------------|---------------|-------------------------------------|--------------------|---------|-------------------------------|
| GK300 GK300-ST <small>SECURITY UL LISTED</small> | 12, 24, or dual 12/24 | 9/16" (15mm) | Optional | ● | Hollow Metal | Mortise | Zinc alloy Stainless steel |
| GK301 GK301-ST <small>SECURITY UL LISTED</small> | 12, 24, or dual 12/24 | 9/16" (15mm) | Optional | ● | Wood | Mortise | Zinc alloy Stainless steel |
| GK310 GK310-ST <small>SECURITY UL LISTED</small> | 12, 24, or dual 12/24 | 9/16" (15mm) | Optional | ● | Hollow Metal | Mortise | Zinc alloy Stainless steel |
| GK311 GK311-ST <small>SECURITY UL LISTED</small> | 12, 24, or dual 12/24 | 9/16" (15mm) | Optional | ● | Wood | Mortise | Zinc alloy Stainless steel |
| GK320 | 12, 24, or dual 12/24 | 3/4" (19mm) | Optional | ● | Hollow Metal | Mortise | Zinc alloy |
| GK321 | 12, 24, or dual 12/24 | 3/4" (19mm) | Optional | ● | Wood | Mortise | Zinc alloy |
| GK350 | 12, 24, or dual 12/24 | 9/16" (15mm) | Optional | ● | Hollow Metal, Wood | Surface | Aluminum alloy |
| GK360M GK360M-ST <small>SECURITY UL LISTED</small> | Dual 12/24 | 3/4" (19mm) | ● | ● | Hollow Metal, Wood | Mortise | Zinc alloy Stainless steel |

| | | |
|--|--|--|
|  <p>GK300/300-ST 1 3/4" (45mm) keeper width</p> |  <p>GK301/301-ST 1 3/4" (45mm) keeper width</p> |  <p>GK310/310-ST 1 7/16" (36mm) keeper width</p> |
|  <p>GK311/311-ST 1 7/16" (36mm) keeper width</p> |  <p>GK320 1 7/16" (36mm) keeper width</p> |  <p>GK321 1 7/16" (36mm) keeper width</p> |
|  <p>GK350 1 9/16" (40mm) keeper width</p> |  <p>GK360M/360M-ST 1 7/16" (36.5mm) keeper width</p> | |

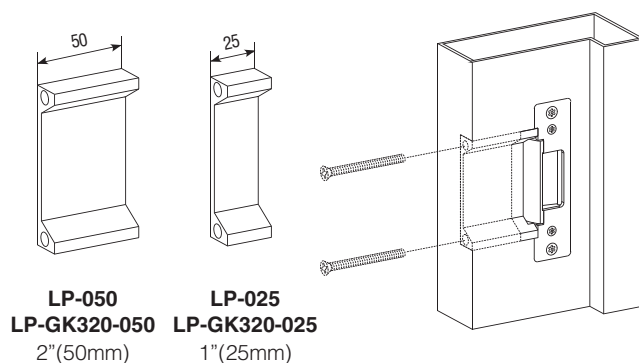
Lockset Application (Note: Lockset is Not sold with electric strike model.)

| Electric Strike Models | Locksets |
|--|--|
| GK300, GK301, GK310, GK311, GK320, GK321 GK360M | Cylindrical Lockset with center lined latchbolt  |
| GK300, GK301, GK310, GK311, GK320, GK321 GK360M | GEM-470R/470L (Mortise Deadlatch) Lockset with center lined latchbolt  |
| GK320, GK321 GK360M | Mortise Mortise lockset without a deadbolt  |
| GK350 | Night Latch Rim lockset  |

*Above models include model number with or without the "M" and/or "ST" suffix.

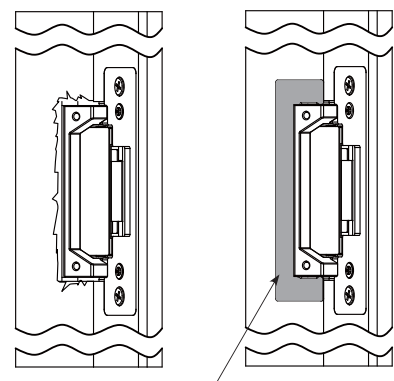
Accessories

Lip Extensions (Option)



Lip extensions are provided to meet the needs of a particular jamb width.

Trim Plate

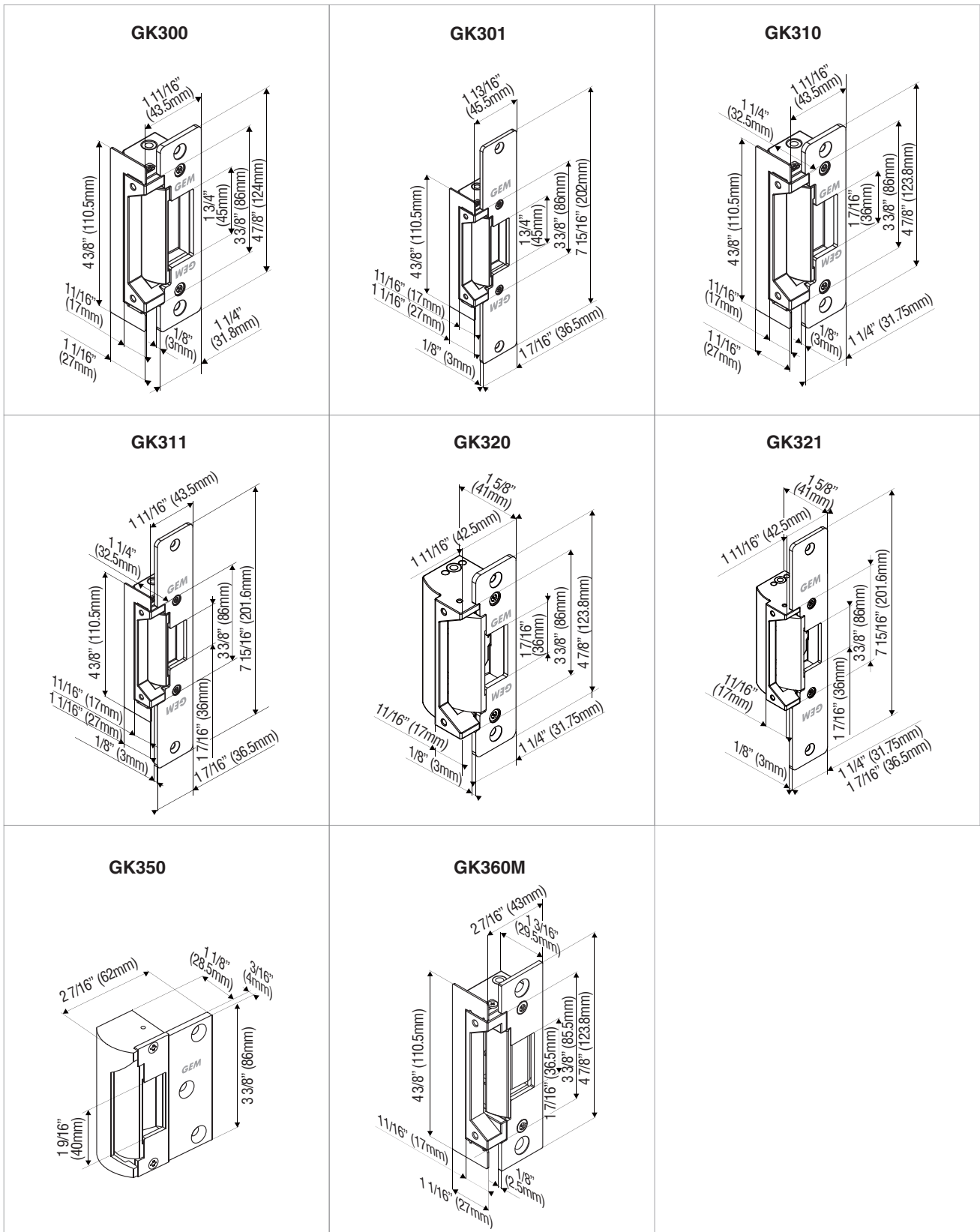


Trim plate

Trim plate is used to cover any imperfections caused while prepping the frame cut out.

* All GK300 series includes a trim plate except GK320, GK321 (with or without M suffix).

Dimensions



Warranty

The product is warranted against defects in material and workmanship while used in normal service for a period of 3 years from the date of sale to the original client. The GEM policy is one of continual development and improvement; therefore GEM reserves the right to change specifications without notice.