

PBA-860 Micro Switch Bar

The PBA-860 Mechanical Micro Switch Bar is focus on emergency exit doors (or other large-scale type doors), with a pressure push immediately cut the interior micro switch unlocking the electromagnet lock or other similar devices.

875(L)*60(W)*65 mm(D)
 Finish: Clear anodized
 Switch rated 5 Amp/125VAC

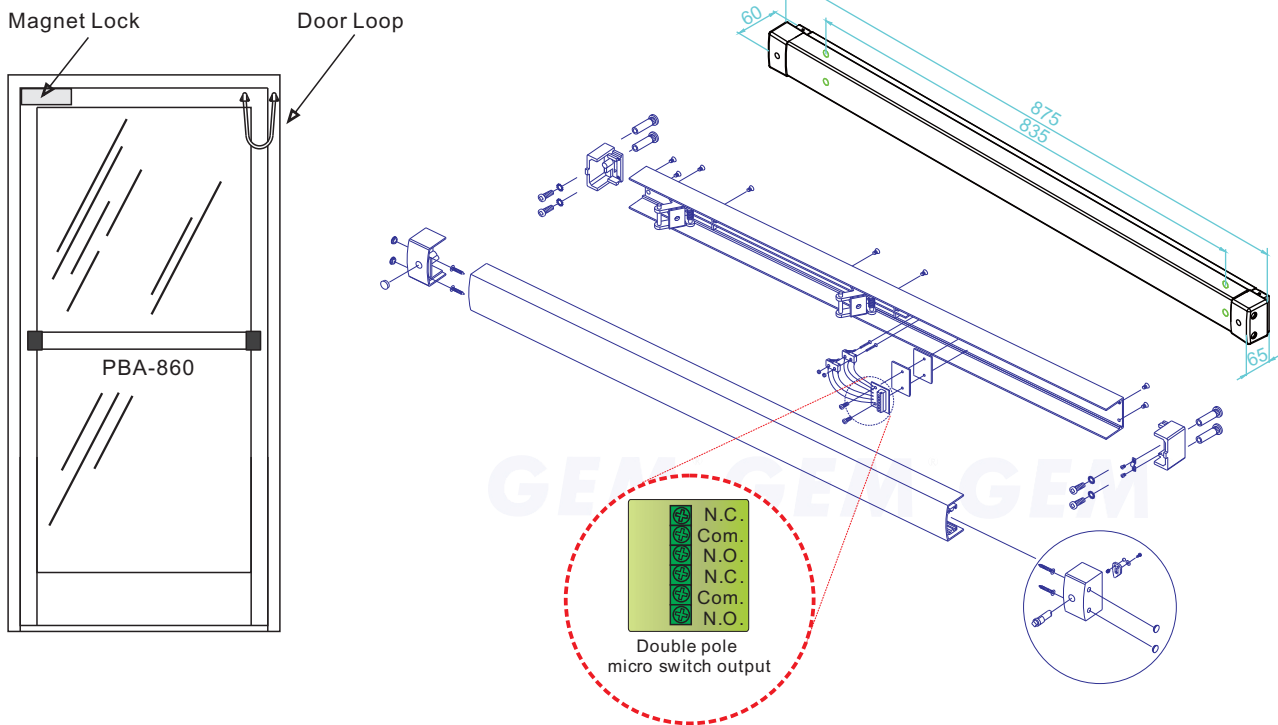
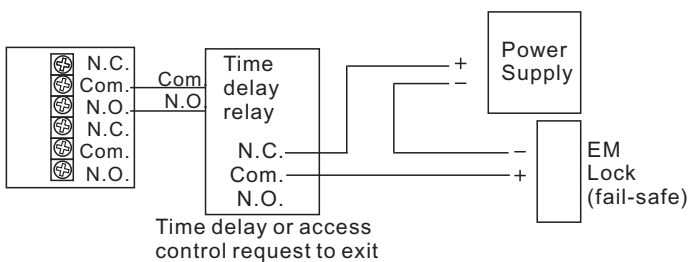
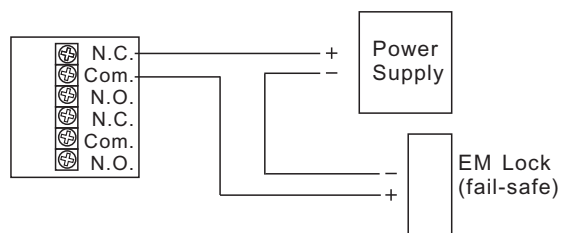


Fig. A



Directly control the fail-safe magnet lock

Fig. B

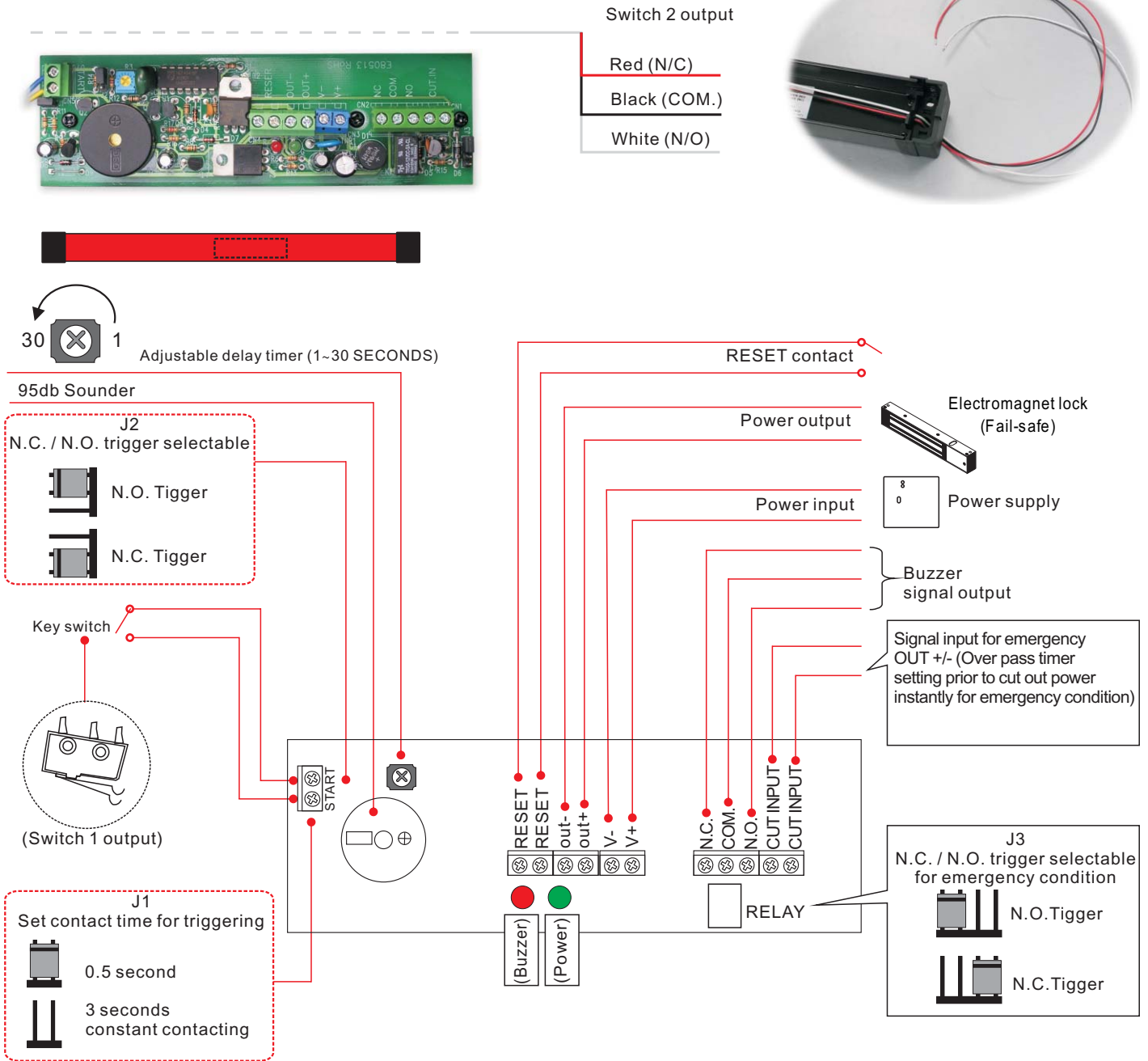


Connect to the request-to-exit contact

PBA-860TDI Micro Switch Bar

The PBA-860TDI Mechanical Micro Switch Bar is focus on emergency exit doors (or other large-scale type doors), with a pressure push immediately to cut the interior of micro switch unlocking the electromagnet lock or other similar devices. Available in 36" Standard Sizes in Satin Silver, Red and Green for versatile applications.

PBA-860TDI control panel wiring diagram



Manual Instructions

- * J1 , J2 setting for trigger N.O. or N.C. contact and timer adjustable.
- * OUT +/- voltage output eliminated after 1~30 seconds delay timer set, an over pass timer setting OUT +/- prior to cut out power instantly when emergency (CUT INPUT) condition.
- * J3 setting for trigger N.C. or N.O. contact on emergency condition.
- * Buzzer and signal output for termination control purpose, contact rated 1.0 Amp.
- * Reset Setting to RESET the control system.
- * Electromagnet lock is fail-safe version, recommend to use UL approved power supply unit for UPS (uninterruption Power Supply) system integration at any time.
- * Current rating of 1.25 Amp.
- * Any accessory that is powered from the out-, out+ has to be able to operate at a minimum voltage of 8.5 VDC.