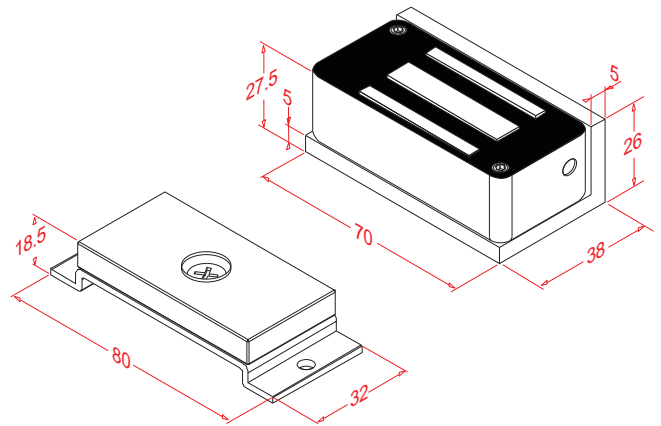




### ● Dimensions



Unit: mm

### ● Statement

GL-80F is recommended to be installed to closets, lockers and small filing cabinets, etc. As it consumes little power, it is most suitable for places with a large number of lockers such as gyms or offices.

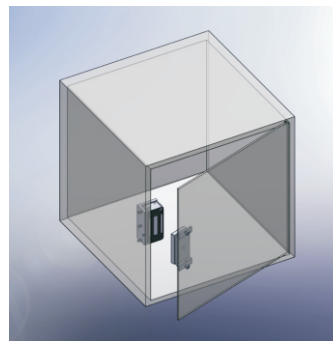
### ● Specification

- Operating Voltage: Single Voltage: 12 or 24VDC
- Current Draw:
  - Single Voltage: 140mA/12VDC, 170mA/24VDC (at temperature 20°C)
- Operating Temperature: -10~55°C (14~131°F)
- Humidity: 0~95% non-condensing.
- Holding Force: Up to 80 lbs (36 Kg)
- Dimensions:
  - Magnet Assembly: (L) 70, (W) 38, (D) 27.5 mm
  - Armature Plate Assembly: (L) 80, (W) 32, (D) 18.5 mm
- Surface finish for magnet and armature plate: Zinc plated
- Epoxy potting compound rating: E87252 (S) UL94V-0
- Net Weight : 350 g

### ● Warranty

The product is warranted against defects in material and workmanship while used in normal service for a period of 5 years from the date of sale to the original customer. The GEM policy is one of continual development and improvement; therefore GEM reserves the right to change specifications without notice.

### ● Application



GE

### GIANNI INDUSTRIES, INC.